



High Resolution, Autofocus Day/Night Camera with 22x Optical Zoom, in Weatherproof Housing CCAS1425-LPO

Autofocus
Day/Night
Camera

- Weatherproof housing to IP66 with sunshield
- High-resolution day/night camera 480/530 TVL
- Built-in 22x AF lens / 11x digital zoom
- Sensitivity: colour = 0.5 Lux at F1.6 (AGC on, 50 IRE) / B/W = 0.05 Lux
- Digital Signal Processing (DSP)
- Digital Noise Reduction (DNR)
- Automatic Exposure (AE)
- Wide Dynamic Range (WDR)
- Automatic White Balance (AWB)
- Automatic Gain Control (AGC)
- Programmable Back Light Compensation (BLC)
- Variable Slow-Speed Shutter (DSS)
- Simple parameterisation via OSD menu
- Remote parameterisation via RS485 with Siemens SCU or Bewator-Molynx protocol
- FREEZE (Live and freeze-frame)
- OSD screen menu
- PIP (Picture In Picture)
- MIRROR (image inversion left/right)
- Dual power operation 24 V AC/12 V DC

The CCAS1425-LPO is a high-resolution (480/530 TVL) day/night camera with built-in autofocus zoom lens with max. 242x zoom. The camera is designed for outdoor use under variable lighting conditions. It is built into a compact and attractively styled weatherproof housing with sunshade incorporated. As a result of the day/night function, the camera offers optimum picture quality both under varying daylight conditions and also when used at night with IR light.

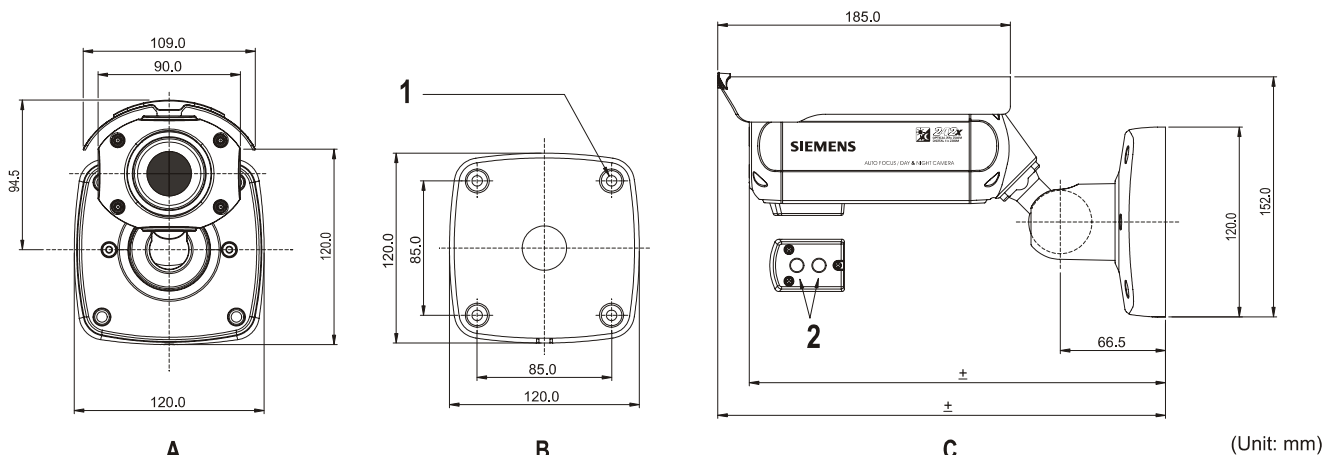
All the camera settings such as white balance, exposure settings, setting of back light compensation (BLC), Line-Lock synchronisation or digital noise reduction are done via the OSD menu. Each camera can have an individual camera text assigned to it. It is possible to specify via the display menu which text and which detailed information for the setting of the camera is to be displayed in the video image.

The camera offers the option to be switched from day to night operation by means of an external switch. The status of the camera can be superimposed in the video image.

A small live image can be superimposed by means of the PIP function. In this way it is thus possible to freeze an image sequence with the freeze function while the live image continues to be displayed in the PIP window.

The camera can also be controlled and parameterised with the standard Siemens SCU protocol and the Bewator-Molynx protocol via the built-in RS485 interface. In addition, the camera can also be operated with voltage-controlled inputs. The zoom and aperture functions and switching of the operating mode from day to night can be set here. For this purpose, a control unit is supplied with each camera.

Dimensions



1	4 x Ø 6.4 screw holes
2	2 x ¼ 20 UNC screw holes
A	Front view
B	Rear view
C	Side view

Technical data

Power supply	12 V DC/24 V AC
Power consumption	9.0 W
Image sensor	1/4" SONY Super HAD CCD
Total pixels	795 (H) x 596 (V)
Scanning system	2:1 interlace
Scanning frequency	15.625 KHz (H), 50 Hz (V)
Sync. system	Internal/external (Line Lock)
Resolution	480 TV lines
Min. illumination	0.5 lux @ F=1.6 (AGC on, 50 IRE video output) / B/W: 0.05 lux Slow-shutter: 0.001 lux
Video output	1.0 Vpp (75 Ohm, composite)
S/N ratio	52 dB (AGC off)
Camera control	RS485 – Siemens S; Molynx
Focus mode	Auto/Manual/Push AF
White balance	AWB/Indoor/Outdoor/Manual/WAWB
Auto exposure	Auto/Iris PRI/Shutter PRI/AGC/Manual
Iris control	Auto/Manual (F1.6 – F32)
AGC	On/Off (max. 30 dB)
Shutter speed	Normal – 1/10,000
BLC	Off/BLC1/BLC2/BLC3/BLC4/BLC5/BLC6/Level
Title	A – Z / 0 – 9
Display	On/Off/Push On (DISP0/DISP1/DISP2)
CAM ID	001 – 255
BPS	2400/4800/9600/19200
Brightness	0 – 90 steps
Sharpness	0 – 15 steps
Distance	0.1 M/1.0 M/1.5 M/2.5 M/6.0 M
Slow shutter	x2 – x60
Effect	D-Zoom, Nega/Posi, B/W, Mirror, PIP, Freeze, D/N Mode, D/N Level, D/N Delay
Preset	INIT/LOAD/SAVE
DNR	On/Off
SHOT	Normal/DIS/WDR/Slow-shutter
Zoom ratio	Optical zoom x22, digital zoom x11 (video AF)
Focus length	f = 3.9 – 85.8 mm
Aperture ratio	F1.6 (wide) – F3.7 (tele)
Power input	2-pin cable
Video output	BNC connector
Operating temperature	-10 to +50 °C
Relative humidity	0 – 96 % (non-condensing)
Storage temperature	-20 to +60 °C
Weight	1500 g
Protection type	IP66

Details for ordering

Type	Order No.	Designation	Weight
CCAS1425-LPO	S54561-C23-A1	1/4" Hi-Res CCD D/N Camera PAL 480TVL Autofocus, 12 V DC/24 V AC, 9.0 W 50 Hz	1.50 kg
