



CCDA1445

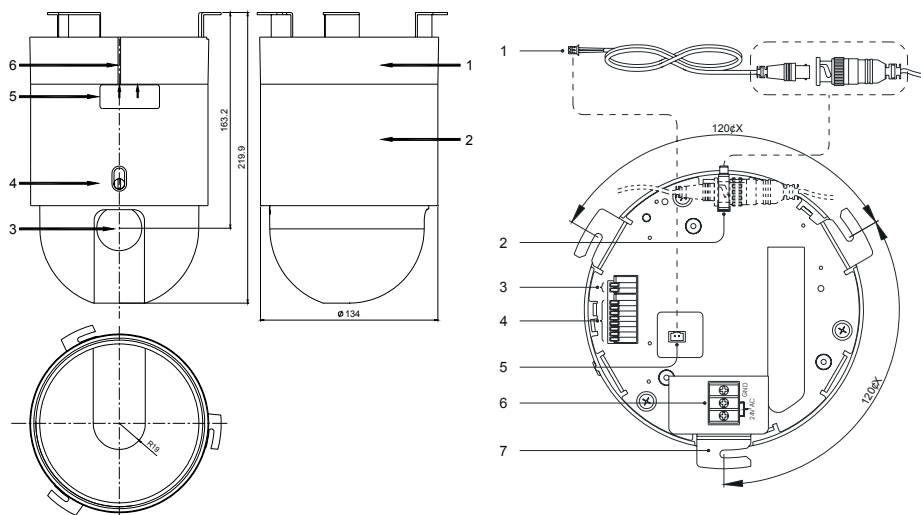
High-Speed Dome Camera



CCDA1445-ST18
CCDA1445-DN18
CCDA1445-DN26
CCDA1445-DN36

The Siemens high-speed dome camera range includes one colour model and three day/night models with exceptional low-light performance. A mechanically removable IR-cut filter allows the day/night dome cameras to provide excellent colour picture quality in the day mode and crisp, clear monochrome images in the night mode. All camera models include comprehensive features and are very easy to operate, thanks to macro/preset commands that quickly access the dome configuration menus. Setting up a camera from a remote keyboard has never been easier. A wide range of accessories is available and will meet most installation requirements.

- High-speed dome camera (pan speed max. 400 °/s)
- High-resolution 1/4" dome camera
- Sensitivity up to 1.4 lx
- Up to 36x optical zoom (3.4 – 122.4 mm), 12x digital zoom
- Motion detection
- Object tracking
- 8 user-definable privacy zones
- Programmable tours and presets
- Remote camera setup via OSD
- 20 characters preset titles
- 4 alarm inputs with AAM-function (Advanced Alarm Management)
- Proportional zoom speed
- Multiple protocols for remote configuration
- Wide range of accessories
- Easy installation
- RoHS conform



Legend

Figure left

- 1 Dome base
- 2 Dome
- 3 Lens
- 4 Screw for cover
- 5 Positioning label
- 6 Notch

Figure right

- 1 BNC extension cable
- 2 BNC connector holder
- 3 Terminal control (RS485)
- 4 Alarm IN/OUT
- 5 Video out connector
- 6 Terminal power (24 V AC only)
- 7 Installation brackets (3 legs)

■ **Details for ordering**

Type	Part no	Designation	Weight
CCDA1445-ST18	S54561-C10-A1	1/4" Dome Colour 18x	1.8 kg
CCDA1445-DN18	S54561-C11-A1	1/4" Dome D/N 18x	1.8 kg
CCDA1445-DN26	S54561-C12-A1	1/4" Dome D/N 26x	1.8 kg
CCDA1445-DN36	S54561-C13-A1	1/4" Dome D/N 36x	1.8 kg

■ **Technical Data**

	CCDA1445-ST18	CCDA1445-DN18	CCDA1445-DN26	CCDA1445-DN36
Electrical				
Power requirements	24 V AC ± 10 %; 50 Hz			
Power consumption	20 VA			
Funktional				
Pan speed	0.1 – 90.0 °/s max. dig. zoom: 0.1 °/s max. opt. zoom: 0.4 °/s			
Tilt speed	0.1 – 45.0 °/s max. dig. zoom: 0.1 °/s max. opt. zoom: 0.4 °/s			
Preset pan/tilt speed	pan: max. 400 °/s tilt: max. 200 °/s			
Speed control	zoom-proportional: on/off			
Pan range	360° continuous rotation			
Tilt range	85° indoor; 92° outdoor			
Pan/tilt limits	user-definable			
Zoom	216x	216x	312x	432x
Auto flip	on/off			
Optical zoom	18x	18x	26x	36x
Digital zoom	12x			
Zoom stop	18x, 36x, 72x, 144x, 216x	18x, 36x, 72x, 144x, 216x	26x, 52x, 104x, 208x, 312x	36x, 72x, 144x, 288x, 432x
Programmable presets	64			

	CCDA1445-ST18	CCDA1445-DN18	CCDA1445-DN26	CCDA1445-DN36
Programmable tours			4	
Programmable privacy zones			8	
Scan function		selectable: random, frame or auto-scan		
Synchronisation		internal: crystal external: line lock; phase adjustable		
Alarm inputs		4 (linked to definable functions)		
Alarm outputs		1 (NO/NC)		
Motion detection		yes		
Object tracking		yes		
OSD menu		English		
Preset characters		max. 20		
Password protection		alphanumeric dome OSD setup protection		
Camera				
Image sensor	1/4" Super HAD CCD	1/4" Ex-View CCD	1/4" Ex-View CCD	1/4" Ex-View CCD
Pixels	752 H x 582 V			
Television standard	PAL, 625 lines, 50 fields/s	PAL, 625 lines, 50 fields, 25 frames, 2:1	PAL, 625 lines, 50 fields, 25 frames, 2:1	PAL, 625 lines, 50 fields, 25 frames, 2:1
Interlace	horizontal: 15.625 kHz vertical: 50 Hz			
Video output	CVBS: 1.0 V _{pp} , 75 Ohm			
S/N ratio	> 50 dB (typical)			
Horizontal resolution	530 TV lines			
Minimum illumination	1.0 lx (F1.4 ; 1/50 s)	0.7 lx (F1.4 ; 1/50 s)	1.0 lx (F1.6 ; 1/50 s)	1.4 lx (F1.6; 1/50 s)
White balance control	ATW (2000 – 10000 °K), auto (3000 – 7500 °K); one push			
Automatic gain control	yes			
AE compensation	auto, manuell, BLC			
EV compensation	-10.5 to +10.5 dB (15 steps)			
Back light compensation	on/off			
Wide dynamic	on/off			
Shutter speed	auto: 1/50 – 1/10,000 s manual: 16 steps	auto: 1/1 – 1/10,000 s manual: 22 steps	auto: 1/1 – 1/10,000 s manual: 22 steps	auto: 1/1 – 1/10,000 s manual: 22 steps
Auto slow shutter	—	on/off (max. 1.0 s)	on/off (max. 1.0 s)	on/off (max. 1.0 s)
Focusing system	auto sensitivity: normal, low			
Focus type	auto/manual/interval/ zoom trigger			
Day/night function	—	mechanical IR-cut filter (auto/off)	mechanical IR-cut filter (auto/off)	mechanical IR-cut filter (auto/off)
Privacy zones	8, user-definable			
Lens				
Focal length	4.1 – 73.8 mm	4.1 – 73.8 mm	3.5 – 91.0 mm	3.4 – 122.4 mm
Angle of view	2.7 – 48.0°	2.8 – 48.0°	2.2 – 54.2°	1.7 – 57.8°
Maximum relative aperture	F1.4 – F3.0	F1.4 – F3.0	F1.6 – F3.8	F1.6 – F4.5

	CCDA1445-ST18	CCDA1445-DN18	CCDA1445-DN26	CCDA1445-DN36
Remote control				
Stop time			1 – 120 s	
Interface			RS485 (2-wire)	
Baud rate			2400 bps, 4800 bps, 9600 bps, 19200 bps; DIP-switch selectable	
Protocols*			FIELDBUS, SIEMENS, PELCO-D/P, VCL, KALATEL, VICON, ERNITEC, SENSORMATIC RS485, MONLYNX-D; DIP-switch selectable	
Mechanical / environmental				
Dimensions (Ø x H)			134.0 x 219.9 mm	
Weight			1.8 kg	
Temperature range, operating			0 to +50 °C	
Temperature range, storage			-20 to +60 °C	

* Note: 3rd party protocols may be subject to changes without notice.

The information in this document contains general descriptions of technical options available, which do not always have to be present in individual cases. The required features should therefore be specified in each individual case at the time of closing the contract.

© Siemens Building Technologies • Document no. A6V10257121 • Edition: 25.08.2009

Siemens Building Technologies
 Fire & Security Products GmbH & Co. oHG
 Industry Sector
 Siemensallee 84
 D-76187 Karlsruhe
 Tel. +49 721 595 1