



CFFC1317-LP

Fixed dome with monofocal lens

-
- Discreet and compact design
 - Super high resolution 540 TVL
 - High performance 50 db AGC
 - Electronic shutter control
 - Switchable BLC
 - Automatic gain control (AGC)
 - Interchangeable lens options (3.6 mm standard)
 - Dual voltage 12 V DC/24 V AC (line-lock phase adjustment)
 - Clear lower bubble with discreet inner liner
 - Optional smoked bubble
 - Full X, Y and Z axis adjustment for wall or ceiling mount
 - Easy setup with local monitor connection port

Universally mountable dome camera complete with clear protective bubble and inner liner. Includes service monitor connection and cable for easy local setup. Designed for indoor applications where discreet, unobtrusive surveillance is demanded.

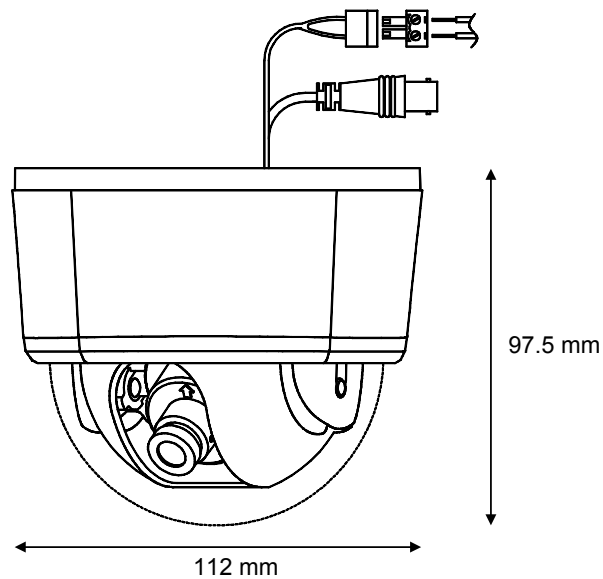
Application

Versatile - ease of use

This fixed dome camera features a 1/3-inch Super HAD CCD, coupled with the ease of installation and accessible DIP switches for white balance, backlight compensation, line-lock phase adjustment and AGC. An accessory for PC remote setup is also available.

High picture quality, true colour reproduction, and outstanding reliability make this dome an excellent choice for indoor applications in retail, offices, museums, banks or hotels.

Dimensions



Technical data

General

Fixed Dome	High Resolution Colour
Image sensor	Super HAD 1/3-inch CCD, 752 (H) x 582 (V)
Horizontal resolution	540 TV lines
Minimum illumination (at 50 IRE)	
Clear bubble	0.13 Lux
Smoked bubble	0.26 Lux
S/N ratio	> 50 dB
Electronic shutter (AES)	1/50 to 1/100000 s
Backlight compensation	ON or OFF (software allows 6 zones)
Gain control	AGC ON or OFF (software allows 18 – 30 dB)
Sync system	Internal / line lock (AC only)
White balance	Automatic, 2500 – 10000 °K
Bubble type	Clear

Video output

TV system	PAL, 2:1 interlace 50 Hz vertically, 15,625 Hz horizontally
Signal (composite)	1 Vpp, 75 Ohm, BNC
Local service monitor output	Yes (cable included)

Lens details

Focal length	3.7 mm
Focus type	Manual
Maximum relative aperture	F2.0
Iris	Fixed
Horizontal angle of view	70°
Minimum object distance	0.2 m

Electrical

Supply voltage	12 V DC / 24 V AC, 3.5 W
RS232 remote setup (optional)	Yes

Mechanical

Dimensions (Ø x H)	112 x 97.5 mm
--------------------	---------------

Details for ordering

Type	Part no	Designation	Weight
CFFC1317-LP	S54561-C60-A1	1/3-inch CCD Fixed Dome, High Resolution Colour 12 V DC/24 V AC, 3.5 W	0.29 kg

Accessories (not included in delivery)

Type	Part no	Designation	Weight
CFFA-IC29	2GF1086-8AB	2.9 mm interchangeable lens for indoor fixed dome	0.01 kg
CFFA-IC37	2GF1086-8AK	3.7 mm interchangeable lens for indoor fixed dome	0.01 kg
CFFA-IC60	2GF1086-8AF	6 mm interchangeable lens for indoor fixed dome	0.01 kg
CFFA-IC12	2GF1086-8AE	12 mm interchangeable lens for indoor fixed dome	0.01 kg
CFFA-TD	2GF1086-8AA	Smoked bubble for indoor fixed dome	0.02 kg
CFFA-CD	2GF1086-8AG	Clear replacement bubble for indoor fixed dome	0.02 kg
CFFA-RS	2GF1086-8AJ	Remote set-up software including 0.5 m cable	0.02 kg

