



CFMC1315-LP

CFMC1315-LP

1.3 Megapixel MJPEG / MPEG4 IP Streaming Colour Fixdome Camera

- Colour fixdome camera
- Simultaneous MJPEG and MPEG4 encoding
- Integrated megapixel AI lens: 3.0 – 9 mm, F1.2
- SXGA 1280x960 (max. 12 ips), VGA 640x480 and QVGA 320x240 (max. 25 ips)
- Standardized protocols: TCP/IP, UDP/IP, DHCP, DNS, HTTP, RTP (RTCP, RTSP), SMTP, NTP, IGMP v3, UPnP
- Simultaneous video transmission of up to 5 independent cropping windows (MJPEG), freely configurable in size and position
- Integrated Web server
- Activity (motion) detection and event email notification
- Bidirectional audio with integrated microphone
- 2 GB SD card support for local picture storage
- CVBS video control output (BNC, alternatively selectable by switch)
- Power over Ethernet (PoE)

Functionalities

The new Siemens 1.3 Megapixel colour fixdome camera CFMC1315-LP is a true CCTV IP security camera that combines the requirements of classic analogue CCTV cameras with the high performance, flexibility and IT security of a modern video-over-IP device. For easy video setup, the dome camera supports a classic CVBS video output that can be activated via an internal switch. Thus even a later migration from classic video to IP video can be achieved without change of the camera model.

Features like activity (motion) detection, privacy zones, the integrated firewall, up to 2 GB SD alarm image memory and email notification turn this IP camera into a true video security device.

MJPEG / MPEG4 compression

The camera simultaneously supports both common video compression standards MJPEG or MPEG4. Usage of standardized protocols enables streaming / recording with existing Siemens SISTORE DVRs SISTORE MX / MX NVR / MX NVS (starting from Version 2.80) and viewing with SISTORE CX (starting V3.7).

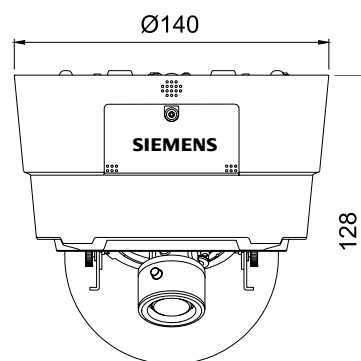
Cropping

When set up in MJPEG mode, up to 5 different cropping areas can be freely configured in size and position within the visible video. Each of those areas can be transmitted and recorded as an independent video stream at the same time. Usage of a cropped area for observation can reduce the necessary bandwidth for transmission as only the important portion of the scenery can be recorded, avoiding to stream the full camera view, still keeping the advantage of the high megapixel resolution within this area.

Power over Ethernet

The fixdome camera supports the PoE function. In conjunction with the appropriate network components (e.g. hub, switch, etc.) the operating voltage for the camera can be supplied directly over the network cable. Additional power supply units are not required.

Dimensions



Technical data

Image system	
Image sensor	1/3" progressive CCD (EXview HAD), 1.3 megapixels
Effective pixels	Full scanning mode: 1280 (H) x 960 (V)
Image compression method	MJPEG/ MPEG4
Image frame rate	SXGA (1280 x 960) at 12.5 ips max. (MJPEG only) VGA (640 x 480), QVGA (320 x 240) at 25 ips max.
Cropping window	Simultaneous video transmission of up to 5 independent cropping windows, freely configurable in size and position at 5 ips max. (MJPEG mode only)
Video output (for installation)	1 Vpp 75 Ohm BNC composite video (CVBS or IP video alternatively selectable by switch)
Electronic	
Synchronisation	Internal
Signal/noise ratio	> 50 dB
Built-in lens	High-quality megapixel lens: f= 3.0 – 9 mm, F1.2
Viewing angle	31.8 – 90.0° (H) x 23.9 – 66.2° (V)
Lens Mount	CS mount
Gamma correction	0.45 / 1
Minimum illumination	0.4 lux (F1.2, AGC On)
White balance control	Auto (2500 – 10000 K) / Manual (1500 – 15000 K)/ Preset
Shutter speed	1/25 – 1/10,000 s; support of long shutter up to 4 s
Back light compensation (BLC)	On/Off, BLC1 – BLC6
Audio	Two-way audio; full-duplex, G.726 (integrated microphone)
Alarm	Yes; 1 x alarm in; 1 x alarm out
RS485	Yes
SD card slot	2 GB SD-RAM included in scope of delivery
Internal Microphone	Yes
Motion detection	1 MD window (selectable size & position) with 3 sensitivity levels
Network	
Network interface	10 BASE – T/100 BASE-TX
Image compression method	JPEG / MPEG4 (dual-streaming)
Resolution	MJPEG: VGA (640 x 480) / QVGA (320 X 240) at 25 ips max. MJPEG: SXGA (1280 x 960) at 12 ips max. MPEG4: VGA (640 x 480) / QVGA (320 X 240) at 25 ips max.
Image quality setting (compression level)	5 levels
Audio function	Two-way mono audio; full-duplex
Internet protocols	TCP/ IP, UDP, HTTP, SMTP, DNS, DHCP, NTP, ARP, ICMP, FTPc, FTPs, DDNS, RTP (RTCP, RTSP), IGMP v3
Web browser	IE browser 6.0 or above
I/O connector	
Network port	RJ45 with control LEDs
Video output	2-pin jack (for video setup only)
Audio in & out connector	3.5-mm phone jack
Alarm connector	1x alarm in / 1 x alarm out
Power connector	2-pin spring terminal
LED	Status, network link

Power supply	
Power requirements	12 V DC / 24 V AC, 50 Hz or PoE
Power consumption	< 7 W
Power connector	2-pin spring terminal
Environment	
Ambient temperature, operating	-10 to +50 °C
Operating humidity	80 % RH or less
Ambient temperature, storage	-20 to +60 °C
Mechanism	
Angle control (3-axis)	Yes
Panning range	350°
Tilting range	146°
Dimensions (H x D)	128 x 140 mm

Details for ordering

Type	Item No.	Description	Weight
CFMC1315-LP	S54561-C81-A1	1/3" 1.3 MP Indoor IP Dome Colour Camera, PAL, 12 V DC / 24 V AC, 50 Hz or PoE	650 g

Issued by
Siemens Building Technologies
Fire & Security Products GmbH & Co. oHG
D-76181 Karlsruhe

www.buildingtechnologies.siemens.com

© 2009 Copyright by
Siemens Building Technologies
Data and design subject to change without notice.
Supply subject to availability.

Document no. **A6V10236865**
Edition 30.01.2009