



High-Resolution, Auto-Focus, Colour Dome Camera with 22x Optical Zoom, in Vandal-Resistant Housing CVAC1415-LPO

Auto-Focus
Colour Camera

-
- Auto-focus colour camera, lens, vandal-resistant housing
 - High-resolution colour dome camera 480 TVL
 - Sensitivity: colour = 1.0 lux @ F1.6 (AGC on, 50 IRE)
 - Digital Noise Reduction (DNR)
 - Automatic Exposure (AE)
 - Wide Dynamic Range (WDR)
 - Automatic White Balance (AWB)
 - Automatic Gain Control (AGC)
 - Programmable Back Light Compensation (BLC)
 - Camera control via RS-485
 - OSD menu
 - PIP (Picture In Picture)
 - Dual power operation 12 V DC / 24 V AC

The CVAC1415-LPO is a high-resolution (480 TVL) colour camera with built-in auto-focus zoom lens with max. 242x zoom. The camera is designed for outdoor use under variable lighting conditions. It is built into a compact and attractively styled vandal-resistant housing.

All the camera settings such as white balance, exposure settings, setting of back light compensation (BLC), Line-Lock synchronisation or digital noise reduction are done via the OSD menu. Each camera can have an individual camera text assigned to it. It is possible to specify via the display menu which text and which detailed information for the setting of the camera is to be displayed in the video image.

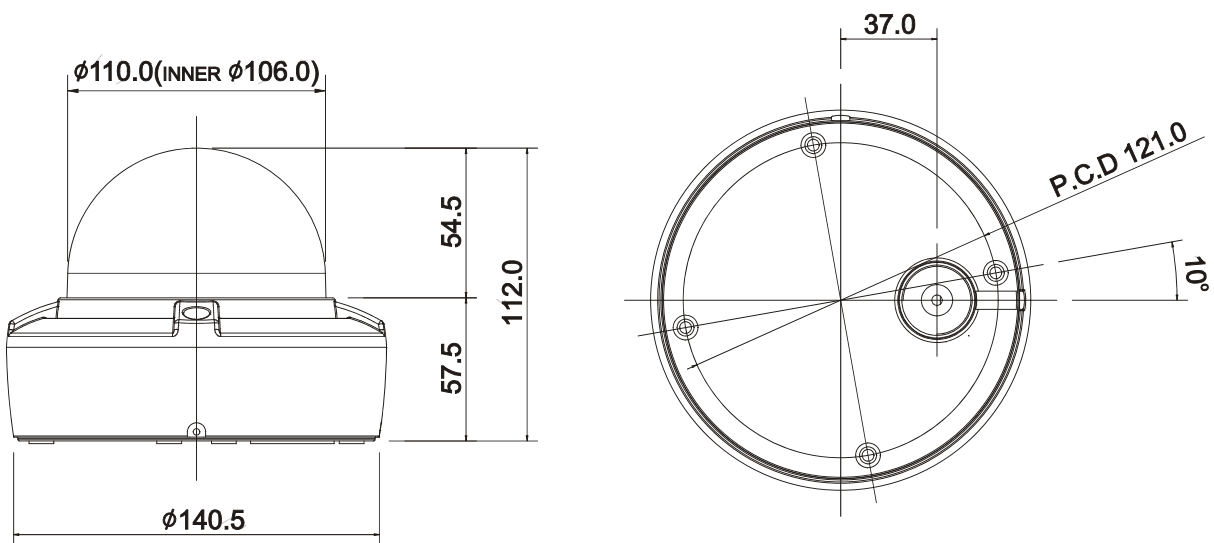
The camera offers the option to be switched from colour to BW operation by means of an external switch. The status of the camera can be superimposed in the video image.

A small live image can be superimposed by means of the PIP function. In this way it is possible to freeze an image sequence with the freeze function while the live image continues to be displayed in the PIP window.

The camera can be controlled and parameterised with the Siemens SCU protocol, the Bewator-Molynx protocol, or the Pelco protocol via the built-in RS485 interface.

In addition, the camera is equipped with a keypad that allows all functions to be controlled directly via the OSD menu.

Dimensions



(Unit: mm)

Technical data

Power supply	12 V DC / 24 V AC
Power consumption	6.0 W (without heater kit)
Image sensor	1/4" SONY Super HAD CCD
Total pixels	795 (H) x 596 (V)
Scanning system	2 : 1 interlace
Scanning frequency	15.625 KHz (H), 50 Hz (V)
Sync. system	Internal: crystal /external: Line Lock
Resolution	480 TV lines
Min. illumination	1.0 lux @ F=1.6 (AGC on, 50 IRE video output) 0.02 lux (Slow-Shutter)
Video output	1.0 Vpp (75 Ohm, composite)
S/N ratio	More than 50 dB (AGC off)
Camera control	RS232 – Siemens B (parameter setting) RS485 – Siemens B, S; Molynx; Pelco D, P
Focus mode	Auto/Manual/Push AF
White balance	AWB/Indoor/Outdoor/Manual/WAWB
Auto exposure	Auto/Iris PRI/Shutter PRI/AGC/Manual
Iris control	Auto/Manual (F1.6 – F32)
AGC	Auto/Manual (0 – 30 dB)
Shutter speed	Normal – 1/10,000
BLC	Off/BLC1/BLC2/BLC3/BLC4/BLC5/BLC6/Level
Title	A – Z / 0 – 9
Display	On/Off/Push On (DISP0/DISP1/DISP2)
CAM ID	001 – 255
BPS	2400/4800/9600/19200
Brightness	0 – 90 steps
Sharpness	0 – 15 steps
Distance	0.1 M / 1.0 M / 1.5 M / 2.5 M / 6.0 M
Slow shutter	x2 – x60
Effect	D-Zoom, Neg/Pos, B/W, Mirror, PIP, Freeze
User Set	INIT/LOAD/SAVE
DNR	On/Off
SHOT	Normal/DIS/WDR/Slow-shutter
Zoom ratio	Optical zoom x22, digital zoom x11 (video AF)
Focus length (f)	3.9 – 85.8 mm
Aperture ratio	F1.6 (wide) – F3.7 (tele)
Power input	3-pin terminal block
Video output	BNC connector
Operating temperature	-10 to +50 °C (with heater kit)
Operating temperature	0 to +50 °C
Switch on temperature	Min. -10 °C (min.)
Relative humidity	0 – 96% (non-condensing)
Storage temperature	-20 °C to +60 °C
Weight	1100 g
Protection type	IP66
Heater kit	
Power supply	12 V DC / 24 V AC
Power consumption	10 W / 20 W
Heater on/off	+5 °C / +15 °C

Details for ordering

Type	Order No.	Designation	Weight
CVAC1415-LPO	2GF1182-8AM	1/4" Hi-Res Colour CCD Dome Camera PAL 480 TVL, Auto-focus, 12 V DC / 24 V AC, 6.0 W, 50 Hz	1 100 g
CVAA-HK01	S54561-C2-A1	Heater kit for CVAx Dome	150 g