



CHSL2610

Housing &
Mounts

Protective Camera Housing

Protective camera housing with sun shield and heater, 320 mm

- **Die-cast corrosion-resistant aluminum housing**
- **Siemens corporate design**
- **Integrated heater to prevent condensation on the pane**
- **Space-efficient integration of power supply units**
- **Simple installation of a twisted pair transmitter or fiber optic module**
- **IP66 with the use of the metric screwed cable glands provided**
- **Concealed cable with the use of the CHBC2010 wall arm**

The all-purpose protective aluminum camera housing with sun shield and integrated heating is of the Siemens design. All current Siemens cameras with Siemens fixed, vario or zoom lenses fit in this housing.

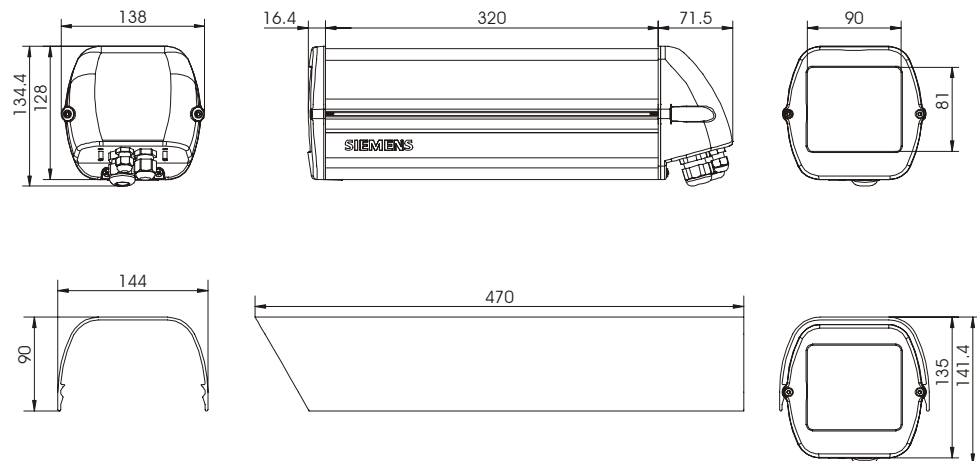
The protective housing is suited for permanent mounting with the available wall arms or for direct mounting on a pan and tilt head.

The housing cover is easy to remove, facilitating on-site installation and cabling of the camera with lens.

Space is provided in the housing for installation of a twisted pair transmitter or fiber optic module.

The power supplies for cameras and accessories can be installed in the back of the housing to save space.

Dimensions



Technical Data

Housing material	Extruded and die-cast corrosion-resistant aluminum
Sun shield material	Extruded and die-cast corrosion-resistant aluminum
Surface	Epoxy resin powder coating
Color	RAL 9006 silver/dark gray
Protection class	IP66 (with cable glands)
Pane heater	110 – 230 V AC, 40 W
Heater switch-on	< 15 ± 3 °C
Heater switch-off	> 22 ± 3 °C
Cable entry	1 x M12, 1 x M16, 1 x M20
Dimensions (W x H x D)	138 x 134.4 x 407.9 mm
Usable interior space (W x H x D)	90 x 85 x 260 mm
Sun shield dimensions (W x H x D)	144 x 90 x 470 mm

Details for ordering

Type	Part no	Designation	Weight
CHSL2610	2GF1705-8PA	Camera housing 320 mm with sun shield and heater 110 V AC/230 V AC	3.2 kg (with sun shield)
Accessories, not included in delivery!			
CHPD1210	2GF1705-8GG	Power supply 100 – 240 V AC/12 V DC, 1 A	0.12 kg
CHPA2410	2GF1705-8GH	Power supply 230 V AC/24 V AC, 400 mA	0.38 kg
CHBC2010	2GF1705-8LF	Wall mount, two degrees of freedom, load rating 25 kg, internal cable channel.	0.6 kg
CHBS2310	2GF1705-8LE	Wall mount, two degrees of freedom, load rating 25 kg.	0.5 kg
CTTT0111	2GF1714-8WN	SMD 2 wire video transmitter module	
CTF1111-SM	2GF5406-8CA	Mini video transmitter fiber optic module 850 nm	
CHHA2410	2GF1705-8GJ	Replacement heater kit 24 V AC	
CHHM2310	2GF1705-8GK	Replacement heater kit 230 V AC	