



## FP50B series

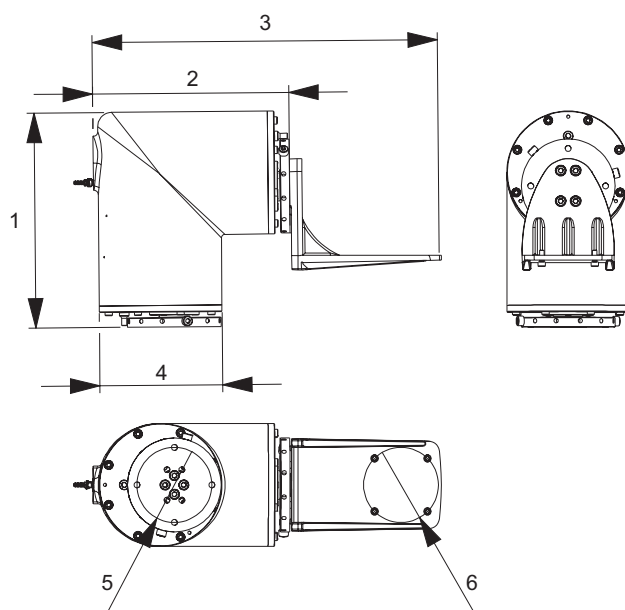
## Phoenix™ Explosion-proof Pan-and-Tilt Unit

FP50B  
FP50B/L  
FP50B/U

- Suitable for IIB gas group
- Suitable to use in hazardous dust conditions
- PTZ with potentiometer
- Each unit is individually pressure tested
- PTZ is available for 3 different power requirements

The "Phoenix Explosion-Proof" equipment is ATEX-certified to be used in potentially hazardous areas where there is a risk of explosion because flammable gases, vapours, mists or dusts may be present. The unit is designed to prevent explosion by containing any heat, sparks, or flames generated. This prevents ignition of potentially explosive atmospheres or materials outside the equipment. The unit is ATEX-certified for use in IIB gas environments (includes ethylene and propane). The pan-and-tilts are fitted with potentiometers, and 230, 110 and 24 V AC versions are available.

## Mechanical dimensions



1	291 mm	4	∅167 mm
2	266 mm	5	4 x M8 mounting holes on a 101.6 mm PCD
3	471 mm	6	4 x M6 mounting holes on a 101.6 mm PCD

## Technical data

	FP50B	FP50B/L	FP50B/U
Application	Hazardous (explosive) atmospheres (Gas Ex zone 1 / Dust Ex zone 21)		
Power requirements	230 V AC, 50 Hz	24 V AC, 50/60 Hz	110 V AC, 60 Hz
Dimensions (W x H x D)	167 x 286 x 448 mm		
Cable entry	Internal terminal block, 1 threaded hole (M20x1.5) for certified gland		
Finish and Colour	Housing: Polyester powder coat RAL1021 (yellow). End caps: clear anodised		
Construction	Housing: machined aluminium casting; End Caps (pan + tilt): machined aluminium; Pan-and-tilt discs: machined aluminium; Side mount platform: machined aluminium casting		
Material	Aluminium		
Ambient temperature, operating	-20 to +40 °C		
Protection rating	IP67 BS EN 60 529		
Weight	18.4 kg		
Max load	40kg – side mount only		
Max. rotation	Pan: 346°. Tilt: ±172°		
Rotation speed	Pan + tilt: 4.5 °/sec (50 Hz), 5.4 °/sec (60 Hz)		

## Details for ordering

Type	Part no	Designation	Weight
FP50B	S54561-C910-A1	FP50B Explosion-proof pan-and-tilt unit ATEX IIB 230 V AC	18.40 kg
FP50B/U	S54561-C910-A2	FP50B/U Explosion-proof pan-and-tilt unit ATEX IIB 110 V AC	18.40 kg
FP50B/L	S54561-C910-A3	FP50B/L Explosion-proof pan-and-tilt unit ATEX IIB 24 V AC	18.40 kg