

FPHC-40 series

FPHC-40
FPHC-40/L
FPHC-40/U

Phoenix™ Explosion-proof Camera Housing with Pan-and-Tilt Unit

- Suitable for IIC gas group
- Suitable to use in hazardous dust conditions
- Wiper option
- Housings include demister and sunshield
- PTZ with potentiometer
- Housing and PTZ is available for 3 different power requirements
- Each unit is individually pressure tested
- Factory pre-build option

The "Phoenix Explosion-Proof" equipment is ATEX-certified to be used in potentially hazardous areas where there is a risk of explosion because flammable gases, vapours, mists or dusts may be present. The camera head, which comprises both a camera housing and preset pan-and-tilt unit, is designed to prevent explosion by containing any heat, sparks, or flames generated by equipment inside it. This prevents ignition of potentially explosive atmospheres or materials outside the equipment.

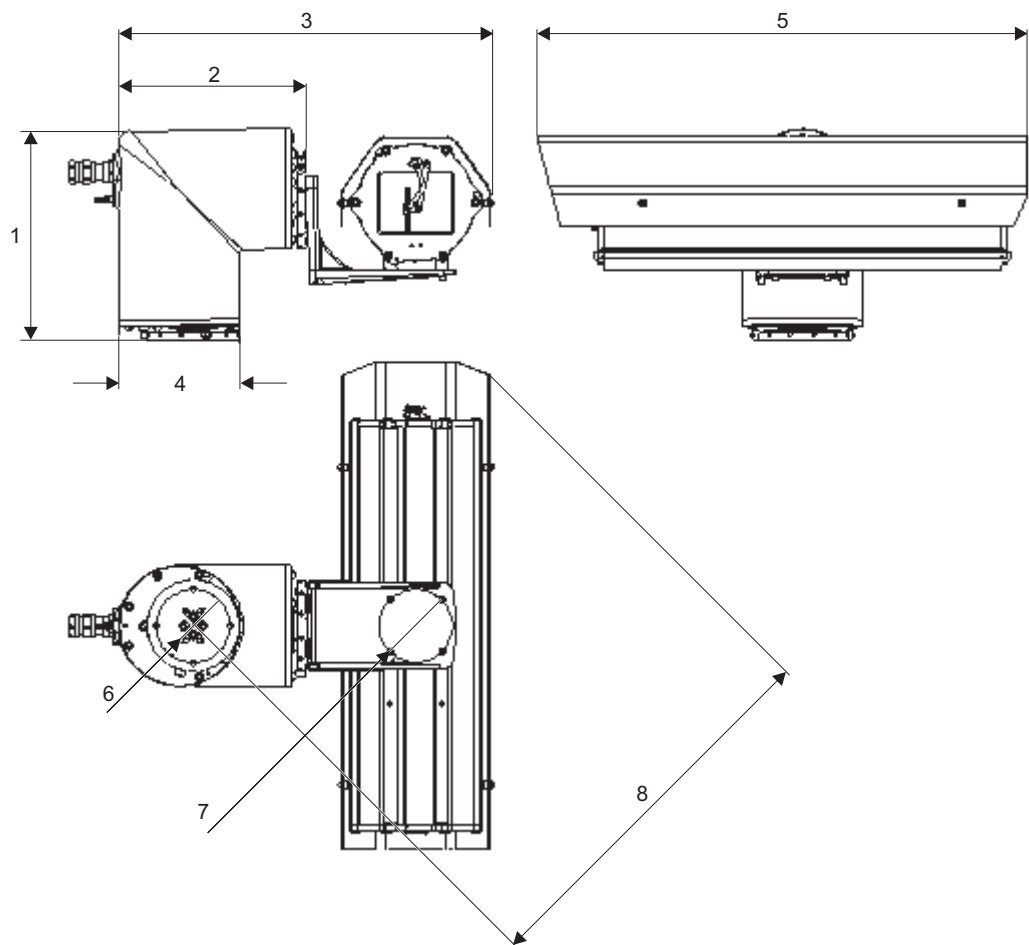
The camera head is ATEX-certified for use in IIC gas environments (includes hydrogen and acetylene). The camera housing is supplied complete with heater & sun shield.

Additionally the housing can be factory-fitted with a wiper.

Siemens will deliver this camera housing and pan-and-tilt unit only as a factory prebuilt version with Siemens or customer-supplied camera and lens.

Two glands are supplied for the cable connecting the pan-and-tilt head to the camera housing. Suitable ATEX approved cable glands for all other cables must be purchased separately.

Mechanical dimensions



1	291 mm	5	675 mm
2	266 mm	6	4 x M8 mounting holes on a 101.6 mm PCD
3	525 mm	7	4 x M6 mounting holes on a 101.6 mm PCD
4	∅167 mm	8	550 mm maximum

Technical data

	FPHC-40	FPHC-40/L	FPHC-40/U
Application	Hazardous (explosive) atmospheres (Gas Ex zone 1 / Dust Ex zone 21)		
Power requirements	230 V AC, 50 Hz	24 V AC, 50/60 Hz	110 V AC, 60 Hz
Fuse	2 A	5 A	2 A
Dimensions (W x H x D)	Camera housing: 210 x 186 x 675 mm Pan-and-tilt unit: 167 x 286 x 448 mm		
Usable volume (W x H x D)	Housing: 114 x 94 x 420 mm		
Cable entry	4 threaded holes (M20x1,5) for certified glands (1x FH07C-CG included in delivery), fitted with blanking plugs		
Finish and Colour	Body: Polyester powder coat RAL1021 (yellow). End caps: clear anodised Housing sunshield: white Polyester powder coat		
Construction	Body and end caps : machined aluminium		
Material	Aluminium extrusion (housing body), aluminium (P&T body, all end caps and housing sunshield)		
Heater/Demister	Thermostatically controlled to operate at a temperature $\leq 25^{\circ}\text{C}$		
Heater rating	7 – 25 W; PTC resistor heating element		
Ambient temperature, operating	-20 to +40 °C		
Protection rating	IP67 BS EN 60 529		
Weight	Camera housing: 11.8 kg (without internal equipment) Pan-and-tilt unit: 18.40 kg		
Max. load	40 kg – side mount only		
Max. rotation	Pan: 346° Tilt: $\pm 172^{\circ}$		
Rotation speed	Pan/tilt : 4.5°/sec (50 Hz), 5.4°/sec (60 Hz)		

Details for ordering

Type	Part no	Designation	Weight
FPHC-40	S54561-C920-A1	FPHC-40 Explosion-proof camera housing with pan-and-tilt unit ATEX IIC 230 V AC	Camera housing: 11.80 kg Pan-and-tilt unit: 18.40 kg
FPHC-40/U	S54561-C920-A2	FPHC-40/U Explosion-proof camera housing with pan-and-tilt unit ATEX IIC 110 V AC	Camera housing: 11.80 kg Pan-and-tilt unit: 18.40 kg
FPHC-40/L	S54561-C920-A3	FPHC-40/L Explosion-proof camera housing with pan-and-tilt unit ATEX IIC 24 V AC	Camera housing: 11.80 kg Pan-and-tilt unit: 18.40 kg

Accessories

Type	Part no	Designation	Weight
FH07W	S54561-B950-A1	FH07W Retro-fit kit for FH07 housing - 230 V AC, 4.6 VA	0.65 kg
FH07W/U	S54561-B950-A2	FH07W/U Retro-fit kit for FH07 housing - 110 V AC, 4.4 VA	0.65 kg
FH07W/L	S54561-B950-A3	FH07W/L Retro-fit kit for FH07 housing - 24 V AC, 4.8 VA	0.65 kg
FBP100	S54561-C971	Heavy duty bracket	8.00 kg
FH07C-CG	S54561-K970-A1	ATEX type C cable gland	

Issued by
Siemens Building Technologies
Fire & Security Products GmbH & Co. oHG
D-76181 Karlsruhe

www.buildingtechnologies.siemens.com

© 2009 Copyright by
Siemens Building Technologies
Data and design subject to change without notice.
Supply subject to availability.

Printed in the Federal Republic of Germany
on environment-friendly chlorine-free paper.

Document no. **A6V10080730**
Edition 06.03.2009