



SISTORE AX4 Lite V2.0 Digital Video Recorder

AX4 Lite 250/100

- Efficient video compression through MPEG4 technology
- Easy-to-use graphical user interface, including Remote Access Software (RAS) and web browser access
- Recording speed up to 100 images per second (120 for NTSC), real time per channel
- Very high image quality via full 4CIF recording resolution and de-interlacing filter on playback
- Operation and configuration locally via front buttons and IR remote control, or remotely via RAS software
- Text input interface, e.g. to connect ATM (Automatic Teller Machine) or POS (Point of Sales) devices
- Dual encoding: Flexible transfer speed when transmitting over the network
- Open software interface for the integration in a higher-level system (e.g. Video Software IVM or access control system SiPass)
- PTZ control of connected cameras
- Support of 13 languages: EN, DE, FR, IT, ES, PT, NL, DA, SV, PL, CZ, TR, FI

Functionality

SISTORE AX4 Lite is an entry-level stand-alone digital video recorder, suitable for a wide range of applications, e.g. for petrol stations, retail outlets or residential buildings. It offers installers and end-users a compact, low-maintenance video recording system, combining fast recording and high image quality with a great deal of functionality.

- **Remote access**

Various network interfaces, e.g. Ethernet, DSL, allow remote access to the system. Monitoring, playback, configuration, upgrade, system check, PTZ control and map integration are possible via RAS software.

Remote monitoring, playback and PTZ control are possible via the integrated Web browser viewer

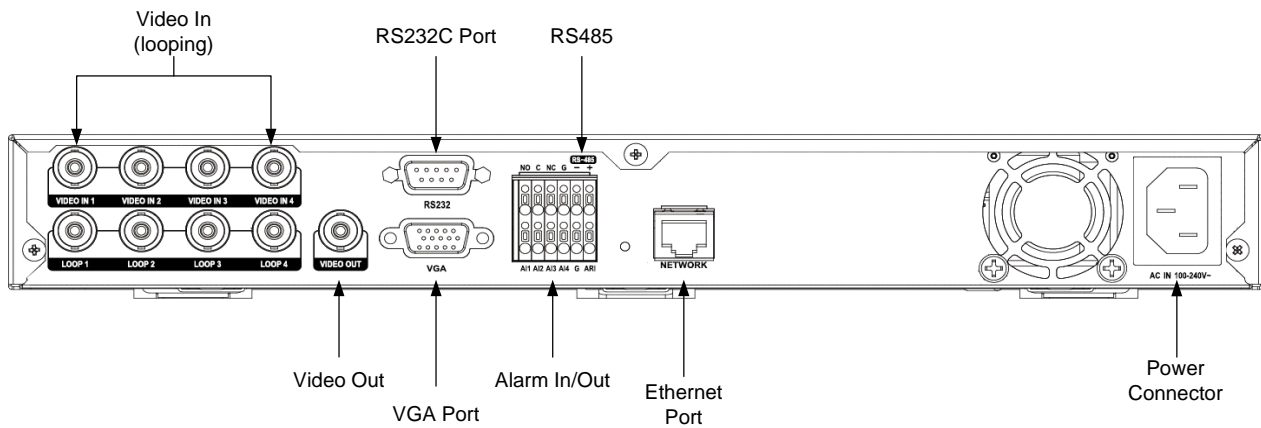
- **Storing and playback of video clips**

Copy of video clips to an external USB device. For the playback of the video clips on a PC no special software is required.

- **Secure images**

Chained Fingerprint enabling a solid chain of evidence prevents the images from being altered or modified.

Connection diagram



Technical data

Monitoring	
Video inputs	Composite: 4 looping, BNC, PAL/NTSC (Auto Detect)
Video outputs	1 composite (BNC) 1 x VGA: 800 x 600 at 60 Hz
Video resolution	720 x 576 (PAL), 720 x 480 (NTSC)
Display mode	1, 4, Sequence, Digital Zoom, Freeze, Covert
Inputs/ Outputs	
Alarm inputs	4, NC or NO, TTL
Alarm outputs	1 relay out, NC or NO, 0.5 A at 125 V AC, 1 A at 30 V DC
Alarm reset input	1
Network	Ethernet 10/100 BaseT
User interface	Front buttons, remote keyboard, IR remote control, RAS software
Auxiliary In / Out	RS232, RS485, USB 2.0
Internal buzzer	80 db at 10 cm
Record / Playback	
Video compression	MPEG4 technology
Recording speed	Up to 100 ips (PAL), 120 ips (NTSC) standard resolution Up to 50 ips (PAL), 60 ips (NTSC) high resolution Up to 25 ips (PAL), 30 IPS (NTSC) 4CIF resolution
Recording resolution	CIF, 2CIF, 4CIF
Recording mode	Time-Lapse, Event (Motion, Alarm-In, Text-In, Video Loss), Pre-Event (up to 30 min.), Panic
Search mode	Date/Time, Calendar, Event, Text-In, Motion, Record Table, Museum
System	
Operating system	Embedded Linux (built-in Flash Memory)
Storage	1 internal Hard Disk Drive: 250 GB SATA
Data export	USB (Hard Disk Drive, CD-RW, Flash Memory)
Disk management	Temperature check, SMART diagnosis, operation w/o HDD
Specifications	
Power supply	100 – 240 V AC, 0.8 – 0.4 A, 50/60 Hz ±10 %
Power requirement	Max. 30 W
Operating temperature	5 – 40°C (41 – 104°F)
Relative humidity	0 – 90 %, non-condensing
Dimensions (W x H x D)	340 x 46.5 x 310 mm
Approvals	CE, FCC, C-Tick, RoHS

Details for ordering

Type	Part no.	Designation	Weight
AX4 Lite 250/100	S54569-C50-A13	SISTORE AX4 Lite, 250 GB, 100 ips	3.0 kg
SISTORE AX	S54569-B6-A13	SISTORE AX ACC, HDD kit 250 GB SATA	1.5 kg
SISTORE	S54569-B6-A2	SISTORE ACC, HDD kit 500 GB SATA	1.5 kg

