



SISTORE AX8 / AX16 V2.8

AX8 250/100
AX16 250/100

Digital Video Recorder

-
- Efficient video compression through MPEG4 technology
 - Easy-to-use graphical user interface, including Remote Access Software (RAS) and web browser access
 - Recording speed up to 100 images per second (120 for NTSC)
 - Real Time Live Video
 - Operation and configuration locally via front buttons and mouse, or remotely via RAS software
 - 1 spot monitor output
 - Individual authorization for groups and users
 - Text input interface, e.g. to connect ATM (Automatic Teller Machine) or POS (Point of Sales) devices
 - Dual Encoding: Flexible transfer speed when transmitting over the network
 - Time synchronization using industry standard protocol
 - Support of VSS-SDK interface for the integration into a higher-level system (e.g. Video Software IVM or access control system SiPass)
 - Support of 13 languages: EN, DE, FR, IT, ES, PT, NL, DA, SV, PL, CZ, TR, FI

Functionality

SISTORE AX is a stand-alone Digital Video Recorder (DVR), suitable for a wide range of applications, e.g. for petrol stations, retail outlets or public buildings. It offers installers and end-users a flexible, low-maintenance video recording system, combining fast recording and high image quality with a great deal of functionality.

- **Remote access**

Various network interfaces, e.g. Ethernet or DSL, allow remote access to the system. Monitoring of live images, playback of recorded video sequences, remote configuration and upgrade, system check and PTZ control are possible via RAS software.

Remote monitoring and playback are possible via a standard Web browser.

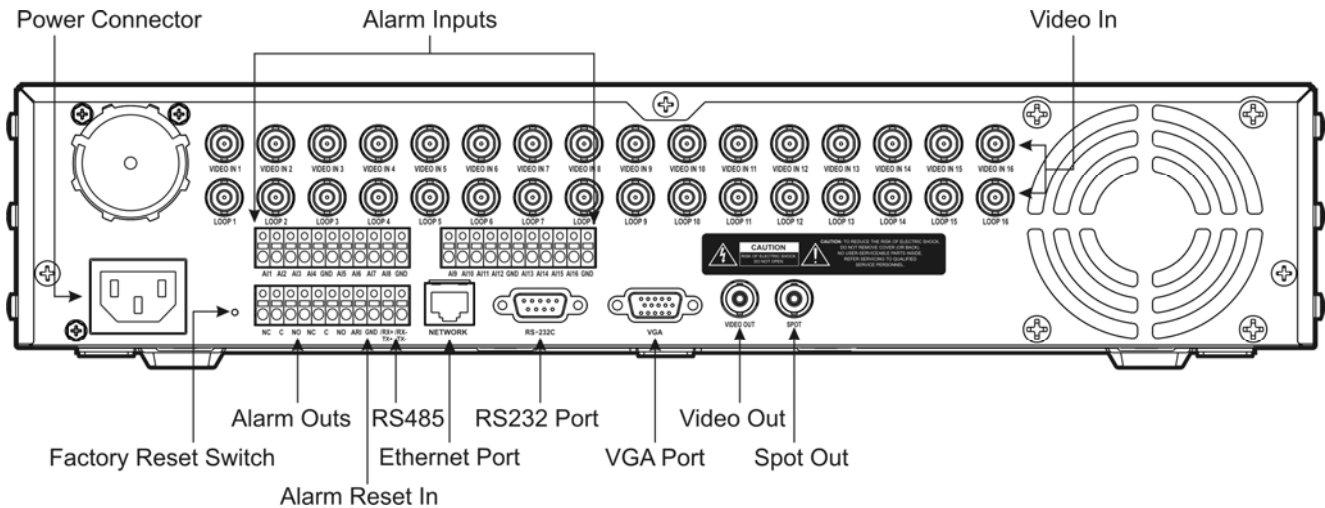
- **Storing and playback of video sequences**

Video sequences can be copied to an internal DVD writer or an external USB device. For the playback of the video sequences on a PC no special software is required.

- **Secure images**

Chained Fingerprint enabling a solid chain of evidence prevents the images from being altered or modified.

Connection diagram



Technical data

Monitoring	
Video inputs	Composite: 8/16 Looping, BNC, PAL/NTSC (auto detection)
Video outputs	Composite: 1 Video, 1 SPOT 1 x VGA: 800 x 600 at 60 Hz
Inputs / Outputs	
Alarm inputs	8/16 TTL (NC or NO), 4.3 V threshold
Alarm outputs	2 relay outputs, terminal blocks, programmable as NC or NO, 0.5 A at 125 V AC, 1 A at 30 V DC
Alarm reset input	1x TTL, terminal block
Network	Ethernet (10/100 BaseT), DSL
Auxiliary In / Out	RS232C, RS485, 2 x USB 2.0
User interface	Front buttons, mouse, remote keyboard
User administration	64 groups, 256 users/group (access right programmable per group)
Recording / Playback	
Compression	MPEG4 technology
Recording speed	Up to 100 ips PAL (up to 120 ips NTSC)
Recording resolution	CIF, 2CIF
Recording mode	Time-Lapse, Event, Pre-Event (up to 30 min), Text-In, Panic
Search mode	Date/Time, Calendar, Event, Motion, Museum, Text-In
System	
Operating system	Embedded Linux (built-in Flash Memory)
Storage	Internal: 250 GB SATA, extensible with two 250 GB or 500 GB SATA extension kits
Data export	Built-in DVD writer, USB (HDD, CD writer, flash drive)
Disk management	Temperature check, SMART diagnosis, auto database recovery, operation without hard disk drive, auto deletion
Specifications	
Power supply	100 – 240 V AC, 2 A, 50/60 Hz \pm 10 %
Power requirements	Typ. 80 W (100 W when 3 hard disk drives are installed)
Operating temperature	5 – 40 °C (41 – 104 °F)
Relative humidity	0 – 90%, non-condensing
Version	19-inch rack, 2 rack units
Dimensions (W x H x D)	430 x 88 x 405 mm (16.9" x 3.5" x 15.9")
Approvals	CE, FCC, C-Tick, RoHS

Details for ordering

Type	Part no	Designation	Weight
SISTORE AX8 250/100	S54569-C71-B13	SISTORE AX8, 250 GB, 100 ips	10.2 kg
SISTORE AX16 250/100	S54569-C91-B13	SISTORE AX16, 250 GB, 100 ips	10.2 kg
SISTORE AX	S54569-B6-A13	SISTORE AX ACC, HDD kit 250 GB SATA	1.5 kg
SISTORE	S54569-B6-A2	SISTORE ACC, HDD kit 500 GB SATA	1.5 kg

