



SISTORE AX8 / AX16 V3.6

AX8 500/200
AX16 500/200

Digital Video Recorder

- Efficient video compression through MPEG4 technology
- Easy-to-use graphical user interface, including Remote Access Software (RAS) and web browser access
- Recording speed up to 200 images per second (240 for NTSC)
- Very high image quality via full 4CIF recording resolution and de-interlacing filter on playback
- Operation and configuration locally via front buttons, mouse and IR remote control or remotely via RAS software
- 4 spot monitor outputs
- Integrated SCSI interface to connect an external RAID system (optional)
- Individual authorization for groups and users
- Triplex monitoring: Display of live video and search while recording
- Real-time live video (200 images per second, 8 channels / 400 images per second, 16 channels)
- 4-channel audio recording and audio playback
- Text input interface, e.g. to connect ATM (Automatic Teller Machine) or POS (Point of Sales) devices
- Dual encoding: Flexible transfer speed when transmitting over the network
- Support of VSS-SDK interface for the integration into a higher-level system (e.g. Video Software IVM or access control system SiPass)
- Support of 13 languages: EN, DE, FR, IT, ES, PT, NL, DA, SV, PL, CZ, TR, FI

Functionality

SISTORE AX is a stand-alone DVR (Digital Video Recorder), suitable for a wide range of applications, e.g. for petrol stations, retail outlets or public buildings. It offers installers and end-users a flexible, low-maintenance video recording system, combining fast recording and high image quality with a great deal of functionality.

- **Remote access**

Various network interfaces, e.g. Ethernet, DSL, allow remote access to the system. Monitoring, playback, configuration, upgrade, system check and PTZ control are possible via RAS software. Remote monitoring, playback and PTZ control are possible via the integrated Web browser viewer.

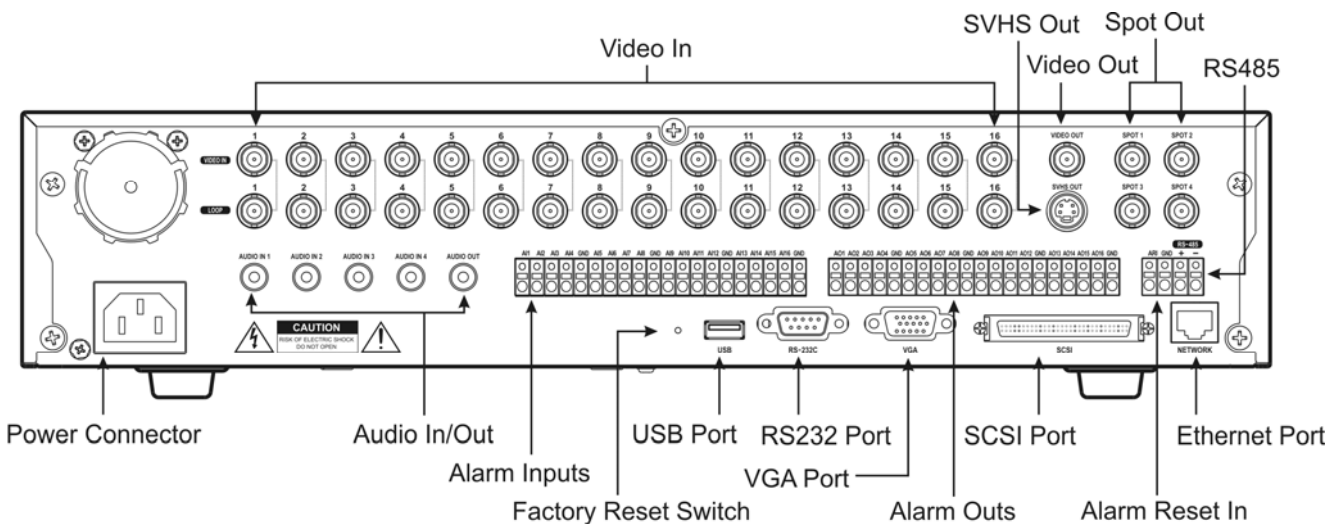
- **Storing and playback of video clips**

Video clips can be copied to an internal DVD writer or an external USB device. For the playback of the video clips on a PC no special software is required.

- **Secure images**

Chained Fingerprint enabling a solid chain of evidence prevents the images from being altered or modified.

Connection diagram



Technical data

Monitoring	
Video inputs	Composite: 8/16 looping, BNC, PAL/NTSC (auto detection)
Video outputs	1 composite, 1 SVHS, 4 SPOT 1 x VGA: 800 x 600 at 60 Hz
Inputs / Outputs	
Audio In / Out	4/1 RCA
Alarm inputs	8/16 (NO or NC), TTL
Alarm outputs	8/16 (open collector: 5 mA at 12 V, 30 mA at 5 V)
Network	Ethernet, DSL
Auxiliary In / Out	RS232, RS485, 3 x USB, UltraSCSI
User interface	Front buttons, remote keyboard, mouse, IR remote control
User administration	64 groups, 256 users/group (access right programmable per group)
Recording / Playback	
Compression	MPEG4 technology (video), ADPCM (audio)
Recording speed	Up to 200 ips (PAL), up to 240 ips (NTSC)
Recording resolution	CIF, 2CIF, 4CIF
Recording mode	Time-Lapse, Event, Pre-Event (up to 30 min.), Text-In, Panic
Search mode	Date/Time, Calendar, Event, Motion, Museum, Text-In
System	
Operating System	Embedded Linux (built-in Flash Memory)
Storage	Internal: 500 GB SATA, extensible with two 250 GB or 500 GB SATA extension kits External: optional SCSI HDD or RAID (up to 2 TB)
Data Export	Built-in DVD writer, USB (HDD, CD writer, FlashDrive)
Disk Management	Temperature check, SMART diagnosis, operation w/o HDD
Specifications	
Power supply	100 – 240 V AC, 2 A, 50/60 Hz \pm 10 %
Power requirement	Typ. 85 W (120 W when 3 hard disk drives are installed)
Operating temperature	5 – 40°C (41 – 104 °F)
Relative Humidity	0 – 90 % (non-condensing)
Version	19-inch rack, 2 rack units
Dimensions (W x H x D)	430 x 88 x 405 mm
Approvals	CE, FCC, C-Tick

Details for ordering

Type	Part no.	Designation	Weight
SISTORE AX8 500/200	S54569-C70-B2	SISTORE AX8, 500 GB, 200 ips	10.2 kg
SISTORE AX16 500/200	S54569-C90-B2	SISTORE AX16, 500 GB, 200 ips	10.2 kg
SISTORE AX	S54569-B6-A13	SISTORE AX ACC, HDD kit 250 GB SATA	1.5 kg
SISTORE	S54569-B6-A2	SISTORE ACC, HDD kit 500 GB SATA	1.5 kg

